

HIGH EFFICIENCY 17 SEER TWO –STAGE AIR CONDITIONER WITH OBSERVER™ COMMUNICATING CONTROL SYSTEM 2 THRU 5 TONS SPLIT SYSTEM

208/230 Volt, 1 –phase, 60 Hz
REFRIGERATION CIRCUIT

- Copeland Scroll Ultratech™ compressors on all models
- Filter –drier supplied with every unit for field installation
- External high and low refrigerant service ports
- High and low pressure switches
- Copper tube / aluminum fin coil

PERFORMANCE

- Self –configuring installation capabilities with Observer Communicating Wall Control
- Outdoor temperature sensor factory installed
- Ball Bearing PSC fan motors on all models
- High performance compressor sound shield standard
- Isolation compressor grommets

EASY TO INSTALL AND SERVICE

- Text based diagnostics with Observer Communicating Wall Control
- Only 2 control wires required from communicating indoor unit to condenser
- Easy access service valves on all models
- Innovative control box design
- Only two screws to access control panel
- Factory charged with R –410A refrigerant

BUILT TO LAST

- High gloss, baked –on powder coat finish over galvanized steel
- Post –painted (black) coil fins
- Coated, weather –resistant cabinet screws
- Coated inlet grille with 3/8" (10mm) spacing for extra protection
- Corner posts for extra strength and style

WARRANTY*

- 10 year No Hassle Replacement™ limited warranty
- 5 year parts limited warranty (including compressor and coil)
– With timely registration, an additional 5 year parts limited warranty (including compressor and coil)

* Applies to original purchaser/homeowner, some limitations may apply. See Warranty certificate for complete details.



TSTAT0101SC
(Sold Separately)



This product has been designed and manufactured to meet ENERGY STAR criteria for energy efficiency when matched with appropriate coil components. However, proper refrigerant charge and proper air flow are critical to achieve rated capacity and efficiency. Installation of this product should follow the manufacturer's refrigerant charging and air flow instructions. Failure to confirm proper charge and airflow may reduce energy efficiency and shorten equipment life.

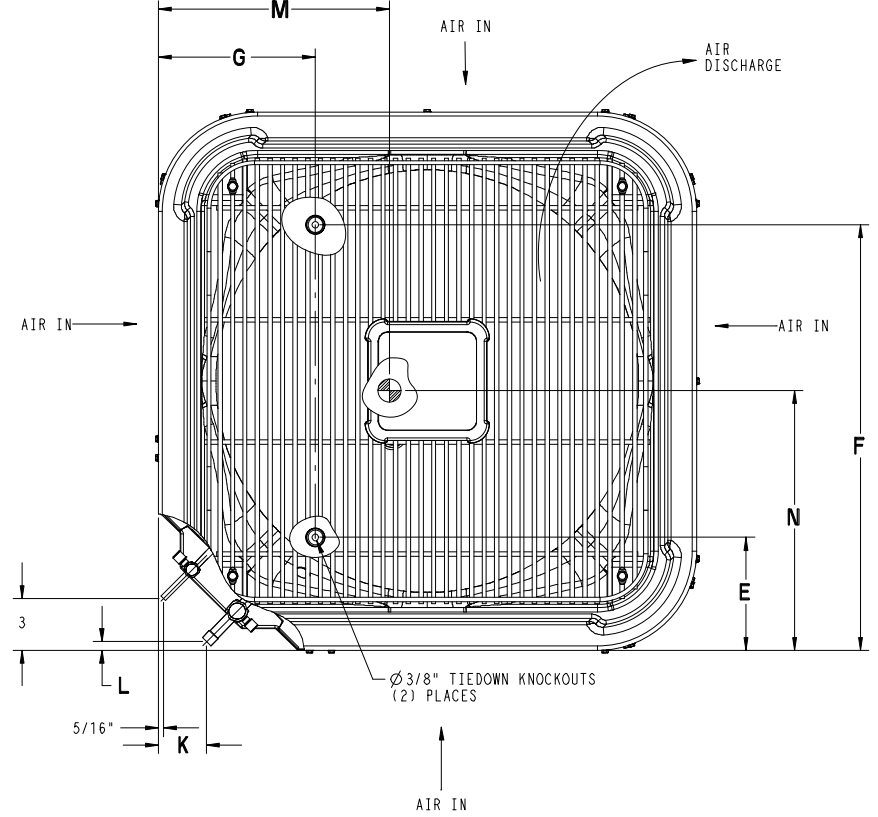
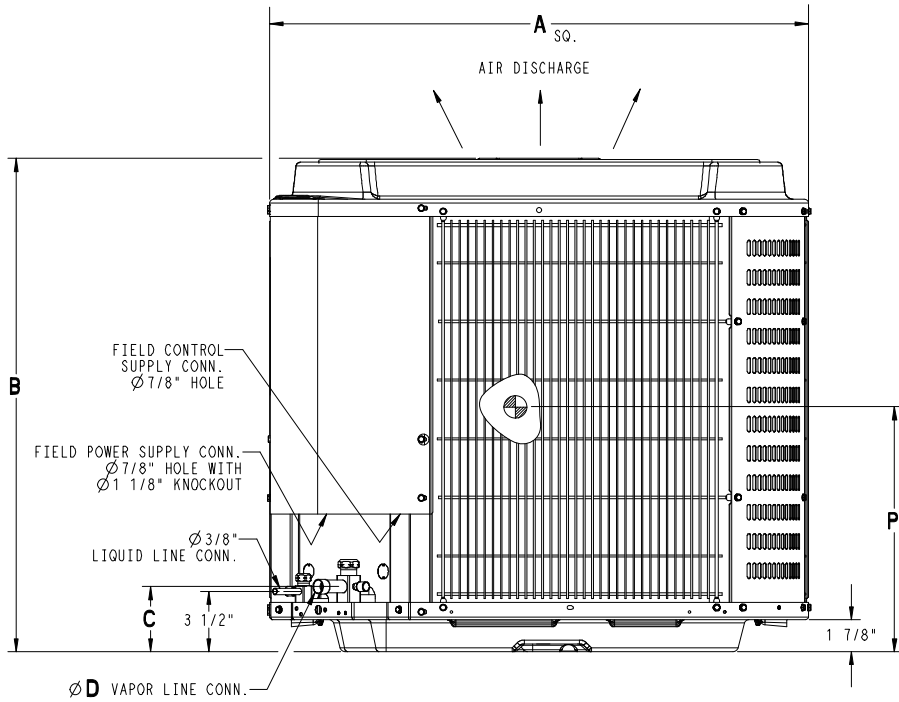


Use of the AHRI Certified TM Mark indicates a manufacturer's participation in the program. For verification of certification for individual products, go to www.ahridirectory.org.

Model Number	Size (tons)	Nominal Btu/hr	Min. Circuit Ampacity	Max. Fuse or Breaker	Operating Dimensions height x width x depth in. (mm)	Ship / Operating Weight lbs. (kg)
HCA724GKA1	2	24,000	13.6	20	38–13/16x31 –3/16x31 –3/16 (986x792x792)	245/212 (11 1/96)
HCA724GKA2	2	24,000	14.5	20	35–7/16x31 –3/16x31 –3/16 (900x792x792)	222/183 (101/83)
HCA736GKA1	3	36,000	22.1	35	38–13/16x31 –3/16x31 –3/16 (986x792x792)	279/245 (127/111)
HCA736GKA2	3	36,000	19.8	35	35–7/16x31 –3/16x31 –3/16 (900x792x792)	256/217 (1 16/98)
HCA748GKA1	4	48,000	27.7	40	40–1/8x35x35 (1019x889x889)	325/280 (148/128)
HCA748GKA2	4	48,000	27.8	40	40–1/8x35x35 (1019x889x889)	326/283 (148/128)
HCA760GKA1	5	60,000	30.1	50	46–7/8x35x35 (1 191x889x889)	372/331 (170/150)
HCA760GKA2	5	60,000	37.3	60	40–1/8x35x35 (1019x889x889)	327/284 (148/129)

OUTDOOR UNIT MODEL NUMBER IDENTIFICATION GUIDE (single phase)											
Digit Position:	1	2	3	4	5,6	7	8	9	10	11	12
Example Part Number:	H	C	A	7	24	G	K	A	2	0	0
H = ACiQ Mainline BRANDING		C = Communicating KEY CHARACTERISTIC		A = Air Conditioner H = Heat Pump TYPE		6 = 16 SEER 7 = 17 SEER 8 = 18 SEER 9 = 19 SEER NOMINAL EFFICIENCY		24 = 24,000 BTUH = 2 tons 36 = 36,000 BTUH = 3 tons 48 = 48,000 BTUH = 4 tons 60 = 60,000 BTUH = 5 tons NOMINAL CAPACITY		G = Coil Guard Grille FEATURES	
K = 208/230 -1-60 VOLTAGE							Sales Code		Engineering Revision		Extra Digit
Extra Digit											Extra Digit

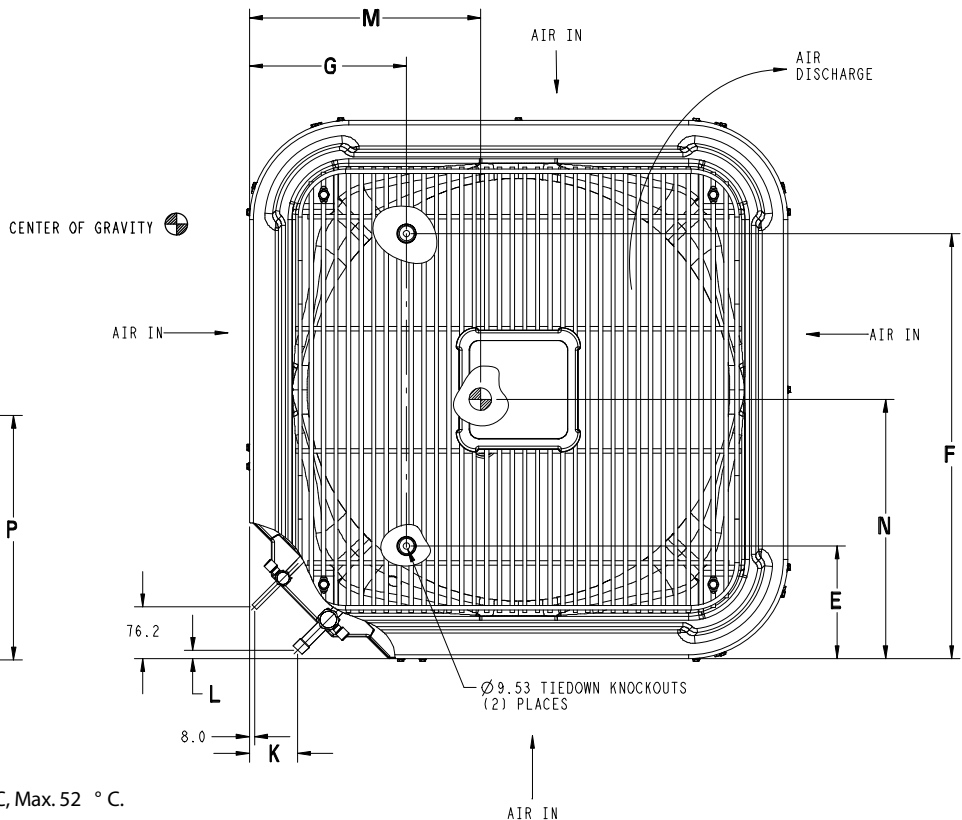
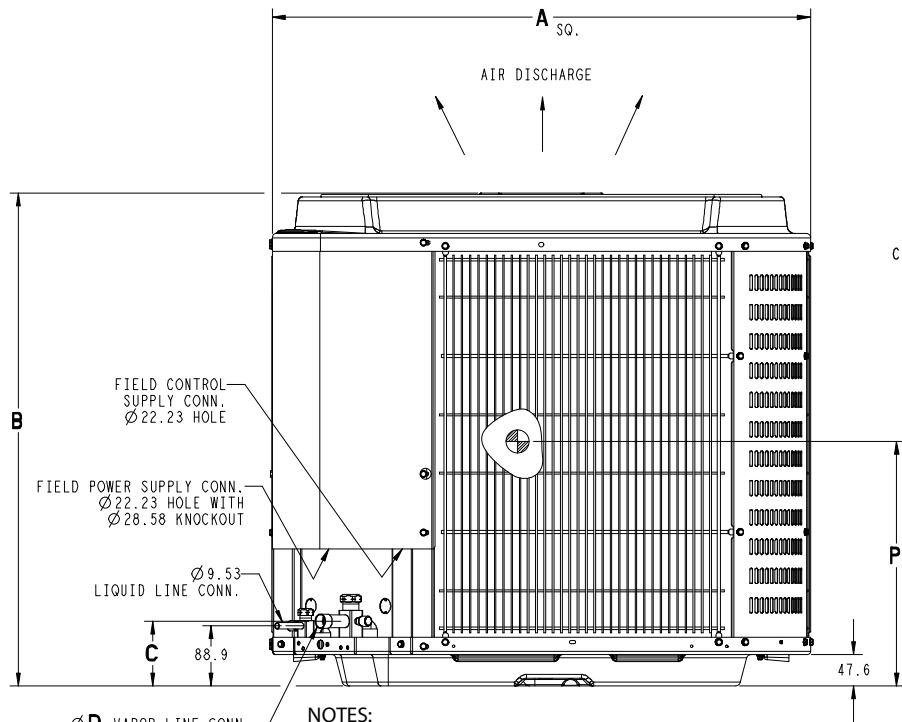
ACCESSORIES PART NUMBER IDENTIFICATION GUIDE									
Digit Position:	1	2	3	4	5	6,7	8,9	10,11	
Example Part Number:	N	A	S	A	0	01	01	CH	
N = Non -Branded		A = Accessory PRODUCT GROUP		S = Split System (AC & HP) KIT USAGE		A = Original B = 2nd Generation 0 = Generic or Not Applicable 2 = R -22 4 = R -410A REFRIGERANT		Product Identifier Number	
Package Quantity							Type of Kit (Example: CH = Crankcase Heater)		



- NOTES:
1. Allow 30" clearance to service side of unit, 48" above unit, 6' on side, 12' on remaining side and 24' between units for proper airflow.
 2. Minimum outdoor operating ambient in cooling mode is 55 ° F, Max. 125 ° F.
 3. Series designation is the 10th position of the unit model number.
 4. Center of Gravity
 5. All dimensions are in inches unless noted.

Dimensions Inches (English)

Model	A	B	C	D	E	F	G	K	L	M	N	P	Minimum Mounting Pad Size	Crated Dimensions L x W x H
HCA724GKA1	31-3/16	38-13/16	3-3/4	3/4	6-9/16	24-11/16	9-1/8	2-13/16	1/2	16	16-5/8	16-3/4	31-1/2 x 31 -1/2	32-5/16 x 35 -1/2 x 42 -3/4
HCA736GKA1	31-3/16	38-13/16	3-7/8	7/8	6-9/16	24-11/16	9-1/8	2-15/16	5/8	16-3/8	15-5/8	19-1/4	31-1/2 x 31 -1/2	32-5/16 x 35 -1/2 x 42 -3/4
HCA748GKA1	35	40-1/8	3-7/8	7/8	6-9/16	28-7/16	9-1/8	2-15/16	5/8	16-1/2	17-5/8	18-1/2	35 x 35	36-1/8 x 39 -1/4 x 46 -1/8
HCA760GKA1	35	46-7/8	3-7/8	7/8	6-9/16	28-7/16	9-1/8	2-15/16	5/8	17-1/2	17-1/2	20-1/2	35 x 35	36-1/8 x 39 -1/4 x 50 -13/16
HCA724GKA2	31-3/16	35-7/16	3-3/4	3/4	6-9/16	24-11/16	9-1/8	2-13/16	1/2	15-7/8	16-1/2	17-3/4	31-1/2 x 31 -1/2	33-5/16 x 33 -5/16 x 39 -3/8
HCA736GKA2	31-3/16	35-7/16	3-7/8	7/8	6-9/16	24-11/16	9-1/8	2-15/16	5/8	16	15-1/2	17-1/2	31-1/2 x 31 -1/2	33-5/16 x 33 -5/16 x 39 -3/8
HCA748GKA2	35	40-1/8	3-7/8	7/8	6-9/16	28-7/16	9-1/8	2-15/16	5/8	17-1/4	17-1/4	18-1/2	35 x 35	37-1/8 x 37 -1/8 x 46 -1/8
HCA760GKA2	35	40-1/8	3-7/8	7/8	6-9/16	28-7/16	9-1/8	2-15/16	5/8	16-1/2	16-1/4	17-1/2	35 x 35	37-1/8 x 37 -1/8 x 46 -1/8



- NOTES:
1. Allow 762 clearance to service side of unit, 1219 above unit, 152 on side, 305 on remaining side and 610 between units for proper airflow.
 2. Minimum outdoor operating ambient in cooling mode is 13 °C, Max. 52 °C.
 3. Series designation is the 10th position of the unit model number.
 4. Center of Gravity
 5. All dimensions are in "mm" unless noted.

Dimensions mm (SI Metric)

Model	A	B	C	D	E	F	G	K	L	M	N	P	Minimum Mounting Pad Size	Crated Dimensions L x W x H
HCA724GKA1	792	985	95	19	167	627	232	71	13	406	422	426	800 x 800	821 x 901 x 1086
HCA736GKA1	792	985	99	22	167	627	232	75	16	416	399	489	800 x 800	821 x 901 x 1086
HCA748GKA1	889	1019	99	22	167	722	232	75	16	419	448	470	889 x 889	918 x 998 x 1172
HCA760GKA1	889	1191	99	22	167	722	232	75	16	445	445	521	889 x 889	918 x 998 x 1290
HCA724GKA2	792	981	95	19	167	627	232	71	13	403	419	451	800 x 800	846 x 846 x 1000
HCA736GKA2	792	981	99	22	167	627	232	75	16	406	394	445	800 x 800	846 x 846 x 1000
HCA748GKA2	889	1019	99	22	167	722	232	75	16	438	438	470	889 x 889	943 x 943 x 1172
HCA760GKA2	889	1019	99	22	167	722	232	75	16	419	413	445	889 x 889	943 x 943 x 1172

PHYSICAL DATA					
Model Size		24	36	48	60
Nominal Cooling Capacity (BTU/hr)		24,000	36,000	48,000	60,000
SEER Rating ‡		17.0	17.0	17.0	16.5
Sound Rating**, High Stage (dBA)		72	71	72	72
Low Stage (dBA)		71	70	70	72
PSC Fan Motor HP		1/12	1/10	1/4	1/4
Fan RPM		800	825	825	825
Fan CFM		2481	3068	4700	4700
Coil Face Area ft ² (m ²)		19.58	19.38	25.12	25.12
Coil Rows – fins per inch		1–25	2–20	2–20	2–20
Low Pressure Switch	Open Pressure	50 ± 7 PSIG	50 ± 7 PSIG	50 ± 7 PSIG	50 ± 7 PSIG
	Close Pressure	95 ± 7 PSIG	95 ± 7 PSIG	95 ± 7 PSIG	95 ± 7 PSIG
Hi Pressure Switch	Open Pressure	670 ± 10 PSIG	670 ± 10 PSIG	670 ± 10 PSIG	670 ± 10 PSIG
	Close Pressure	470 ± 25 PSIG	470 ± 25 PSIG	470 ± 25 PSIG	470 ± 25 PSIG
Liquid Line Connection Size in. (mm)		3/8 (10)	3/8 (10)	3/8 (10)	3/8 (10)
Vapor Line Connection Size in. (mm)		3/4 (19)	7/8 (22)	7/8 (22)	7/8 (22)
Recommended Line Set Liquid Tube Diameter in. (mm)		3/8 (10)	3/8 (10)	3/8 (10)	3/8 (10)
Recommended Line Set Vapor Tube Diameter in. (mm)*		3/4 (19)*	7/8 (22)*	1–1/8 (29)*	1–1/8 (29)*
* Recommended Vapor Tube Line size is for standard installations. These recommendations may not apply to “Long Line” installations. When the total equivalent line length exceeds 80 feet (24.4m) or there is more than 20 feet (6.1m) vertical separation between indoor and outdoor units, consult the Long Line Application Guideline document before purchasing/ installing line sets.					
Factory Charge R –410A lbs. (kg)		6.64 (3.01)	9.26(4.20)	12.94 (5.87)	12.70 (5.76)
Required Subcooling °F (°C)		10 (5.6)	14 (7.8)	13 (7.2)	14 (7.8)

ELECTRICAL DATA (208/230 –1–60, voltage range 197V – 253V)								
Model Size	24GKA1	24GKA2	36GKA1	36GKA2	48GKA1	48GKA2	60GKA1	60GKA2
Minimum Circuit Ampacity – MCA (amps)	13.6	14.5	22.1	19.8	27.7	27.8	30.1	37.3
Maximum OverCurrent Protective device – MOCP (amps)	20	20	35	35	40	40	50	60
Compressor RLA (Rated Load Amps)	10.3	11.1	16.7	15.3	21.2	21.2	23.0	28.8
LRA (Locked Rotor Amps)	52.0	58.3	82.0	83.0	96.0	104.0	118.0	152.9
Fan Motor FLA (Full Load Amps)	0.7	0.6	1.2	0.7	1.2	1.3	1.3	1.3

‡ Highest sales volume tested combination.

**Sound Rating tested in accordance with AHRI Standard 270 –95 (not listed with AHRI).

R-410A COOLING CAPACITY LOSS FOR VARIOUS LINE LENGTHS & TUBE DIAMETERS											
Unit Nominal Size (Btuh)	Maximum Liquid Line Diameter (OD) in.(mm)	Vapor Line Diameters (OD) in. (mm)	Cooling Capacity Loss (%) at Total Equivalent Line Length, feet (m)								
			26-50 (7.9-15.2)	51-80 (15.5-24.4)	81-100 (24.7-30.5)	101-125 (30.8-38.1)	126-150 (38.4-45.7)	151-175 (46.0-50.3)	176-200 (53.6-60.0)	201-225 (61.3-68.6)	226-250 (68.9-76.2)
24 2-Stage AC	3/8(10)	5/8 (16)	0	1	1	2	3	3	4	4	5
		3/4 (19)	0	0	0	0	1	1	1	1	1
36 2-Stage AC		5/8 (16)	1	2	4	5	6	7	9	10	11
		3/4 (19)	0	0	1	1	2	2	3	3	4
48 2-Stage AC		7/8 (22)	0	0	0	0	1	1	1	1	2
		3/4 (19)	1	2	2	3	4	5	6	7	7
60 2-Stage AC		7/8 (22)	0	1	1	2	2	2	3	3	3
		1-1/8 (29)	0	0	-	-	-	-	-	-	-
		3/4 (19)	1	2	4	5	6	7	9	10	10
		7/8 (22)	0	1	2	2	2	3	4	4	5
	1-1/8 (29)	0	0	0	0	1	1	1	1	1	

Applications in shaded area may be long line and may have height restrictions. See the AC & HP R410A Split System Long Line Applications Guideline.

- Applications in this area are not recommended due to insufficient oil return.

TESTED AHRI COMBINATION RATINGS*

NOTE: Ratings contained in this document are subject to change at any time.

For AHRI ratings certificates, please refer to the AHRI directory. www.ahridirectory.org

Additional ratings and system combinations can be accessed via the ACiQ database at:

<http://www.icpeq.com/AHRIratings/ratings.aspx?Brand=Airquest>

Or scan this QR code:



COOLING PERFORMANCE										
For complete ratings information, use the AHRI website directory search: www.AHRIdirectory.org . New ratings may be listed online before Specification Sheets are updated.										
Unit Size	Indoor Model (*Tested Model)	Furnace Model	AHRI STANDARD RATINGS							
			COOLING 95° F (35 °C)				SEER	EER	ID CFM	
			Capacity		High	Low			High	Low
High	Low	High	Low							
HCA724GKA	*EN(A,D)4X31*17**	*8MV*0901716**	24000	21600	17.0	13.0	835	670		
HCA736GKA	*EN(A,D,W)4X48*21**	*8MV*0901716**	36000	29400	17.0	13.0	1005	835		
HCA748GKA	*EN(A,D)4X61*24**	*8MV*1352422**	48000	40000	17.0	13.0	1355	1010		
HCA760GKA	*EN(A,D)4X61*24**	*8MV*1352422**	58000	47000	16.5	13.0	1685	1355		

* AHRI = Air Conditioning, Heating & Refrigeration Institute

EERA — Energy Efficiency Ratio — 'A' conditions — 80 °F (26.6 °C) indoor db/67 °F (19.4 °C) indoor wb & 95 °F (35 °C) outdoor wb.

SEER — Seasonal Energy Efficiency Ratio

NOTES:

1. Ratings are net values reflecting the effects of circulating fan motor heat. Supplemental electric heat is not included.
2. Tested outdoor/indoor combinations have been tested in accordance with DOE test procedures for central air conditioners. Ratings for other combinations are determined under DOE computer simulation procedures.
3. Determine actual CFM values obtainable for your system by referring to fan performance data in fan coil or furnace coil literature.
4. Do not apply with capillary tube coils as performance and reliability are significantly affected.

SIZE 24 EXPANDED DATA

High Stage 24 Size Outdoor With EN(A,D)4X31*17**+8MV*0901716** Indoor Cooling																										
Outdoor Ambient Temperature Degrees F, Dry Bulb																										
75					85					95					105					115						
Entering Indoor Temperature Degrees F, Wet Bulb																										
CFM	57	62	63††	67	72	57	62	63††	67	72	57	62	63††	67	72	57	62	63††	67	72	57	62	63††	67	72	
600	MBh†	24.35	25.97	26.50	28.68	31.66	21.95	23.22	23.69	25.64	28.31	19.59	20.53	20.94	22.68	25.04	17.29	17.94	18.29	19.82	21.89	15.06	15.45	15.74	17.07	18.87
	S/T‡	1.00	0.82	0.67	0.64	0.49	1.00	0.83	0.68	0.65	0.49	1.00	0.85	0.68	0.66	0.49	1.00	0.86	0.69	0.67	0.49	1.00	0.88	0.70	0.68	0.50
	AMPS*	6.90	6.95	6.96	7.02	7.09	7.32	7.35	7.37	7.41	7.48	7.76	7.79	7.80	7.84	7.90	8.26	8.28	8.29	8.33	8.39	8.82	8.83	8.85	8.89	8.95
	HI PR	259	261	262	264	267	301	303	304	306	310	347	349	350	353	357	398	400	401	404	408	454	455	456	459	464
	LO PR	119	126	128	139	152	122	128	130	141	154	125	130	132	143	157	128	133	135	145	159	132	135	137	148	162
650	MBh†	25.14	26.46	26.98	29.19	32.19	22.64	23.65	24.11	26.08	28.75	20.19	20.90	21.29	23.05	25.41	17.81	18.25	18.57	20.12	22.20	15.50	15.71	15.98	17.32	19.12
	S/T‡	1.00	0.85	0.68	0.66	0.49	1.00	0.86	0.69	0.66	0.49	1.00	0.87	0.70	0.67	0.50	1.00	0.89	0.71	0.68	0.50	1.00	0.91	0.72	0.69	0.51
	AMPS*	6.96	7.00	7.01	7.07	7.14	7.37	7.40	7.41	7.46	7.52	7.81	7.83	7.84	7.89	7.94	8.30	8.31	8.33	8.37	8.43	8.86	8.87	8.88	8.92	8.99
	HI PR	260	262	262	265	268	302	304	304	307	310	349	350	351	353	357	399	400	401	404	409	455	456	457	460	465
	LO PR	123	129	131	141	155	125	131	133	143	157	129	133	135	145	159	132	135	137	148	162	136	138	139	150	164
700	MBh†	25.85	26.90	27.40	29.63	32.64	23.27	24.03	24.46	26.45	29.13	20.74	21.23	21.59	23.35	25.73	18.28	18.53	18.83	20.38	22.46	15.90	15.97	16.18	17.52	19.33
	S/T‡	1.00	0.87	0.70	0.67	0.50	1.00	0.88	0.70	0.68	0.50	1.00	0.90	0.71	0.69	0.51	1.00	0.92	0.73	0.70	0.51	1.00	0.99	0.74	0.71	0.52
	AMPS*	7.01	7.04	7.06	7.12	7.19	7.42	7.44	7.45	7.50	7.56	7.85	7.87	7.88	7.92	7.98	8.34	8.35	8.37	8.41	8.47	8.90	8.91	8.92	8.96	9.02
	HI PR	261	262	263	265	268	303	304	305	307	311	350	350	351	354	358	400	401	402	405	409	456	457	457	461	465
	LO PR	126	131	133	143	157	129	133	135	145	159	132	135	137	147	161	136	137	139	150	164	139	140	141	152	166
750	MBh†	26.50	27.30	27.76	30.00	33.03	23.85	24.37	24.77	26.77	29.46	21.24	21.53	21.86	23.63	26.01	18.71	18.80	19.04	20.59	22.68	16.26	16.29	16.35	17.70	19.51
	S/T‡	1.00	0.89	0.71	0.68	0.51	1.00	0.90	0.72	0.69	0.51	1.00	0.92	0.73	0.70	0.51	1.00	0.94	0.74	0.72	0.52	1.00	1.00	0.76	0.73	0.53
	AMPS*	7.07	7.09	7.10	7.16	7.23	7.47	7.48	7.50	7.54	7.60	7.90	7.91	7.92	7.96	8.02	8.39	8.39	8.40	8.44	8.50	8.94	8.95	8.95	9.00	9.06
	HI PR	262	263	263	266	269	304	305	306	308	312	350	351	352	354	358	401	402	402	405	410	457	457	458	461	466
	LO PR	129	133	135	145	159	132	135	137	147	161	135	137	138	149	163	139	139	141	151	165	143	143	143	154	168
800	MBh†	27.10	27.65	28.08	30.34	33.37	24.38	24.69	25.05	27.05	29.75	21.70	21.82	22.09	23.86	26.25	19.10	19.13	19.23	20.78	22.88	16.60	16.62	16.51	17.85	19.67
	S/T‡	1.00	0.91	0.72	0.70	0.51	1.00	0.93	0.73	0.71	0.52	1.00	0.94	0.75	0.72	0.52	1.00	1.00	0.76	0.74	0.53	1.00	1.00	0.78	0.75	0.54
	AMPS*	7.12	7.13	7.15	7.20	7.27	7.52	7.52	7.54	7.58	7.64	7.94	7.95	7.96	8.00	8.06	8.43	8.43	8.44	8.48	8.54	8.98	8.99	8.99	9.03	9.09
	HI PR	262	263	264	266	269	305	305	306	308	312	351	351	352	355	359	402	402	403	406	410	458	458	458	462	466
	LO PR	132	135	136	147	161	135	137	138	149	163	138	139	140	151	165	142	142	142	153	167	145	146	144	155	169
835	MBh†	27.50	27.89	28.29	30.54	33.58	24.72	24.90	25.22	27.22	29.93	22.00	22.03	22.23	24.00	26.39	19.36	19.39	19.35	20.90	23.00	16.81	16.84	16.61	17.95	19.77
	S/T‡	1.00	0.93	0.73	0.71	0.52	1.00	0.94	0.75	0.72	0.52	1.00	1.00	0.76	0.73	0.53	1.00	1.00	0.77	0.75	0.54	1.00	1.00	0.79	0.77	0.54
	AMPS*	7.15	7.16	7.18	7.23	7.30	7.55	7.55	7.56	7.61	7.67	7.97	7.98	7.98	8.03	8.09	8.46	8.46	8.46	8.50	8.57	9.01	9.01	9.01	9.05	9.12
	HI PR	263	263	264	266	269	305	306	306	309	312	352	352	352	355	359	403	403	403	406	411	459	459	459	462	467
	LO PR	134	136	137	148	162	137	138	139	150	164	140	140	141	152	166	144	144	143	154	168	147	147	145	156	170
900	MBh†	28.17	28.32	28.63	30.88	33.93	25.31	25.34	25.50	27.51	30.22	22.51	22.55	22.47	24.24	26.64	19.79	19.82	19.55	21.10	23.20	17.18	17.20	16.77	18.11	19.92
	S/T‡	1.00	0.95	0.75	0.73	0.53	1.00	1.00	0.77	0.74	0.53	1.00	1.00	0.78	0.76	0.54	1.00	1.00	0.80	0.77	0.55	1.00	1.00	0.81	0.79	0.56
	AMPS*	7.22	7.22	7.23	7.28	7.35	7.61	7.61	7.61	7.66	7.72	8.03	8.03	8.03	8.07	8.13	8.51	8.51	8.51	8.55	8.61	9.06	9.06	9.05	9.10	9.16
	HI PR	264	264	264	267	270	306	306	307	309	313	353	353	353	356	360	404	404	403	407	411	460	460	459	462	467
	LO PR	138	138	139	150	164	140	141	141	152	166	144	144	143	154	167	147	147	145	156	169	151	151	147	158	171

† Total capacities are net (I.D blower heat subtracted) system capacities based on 25' line set.

If additional tubing length and/or indoor unit is located above outdoor unit, a slight variation in capacity may occur.

* System amps are total of indoor and outdoor amps

‡ S/T are based on 80 F db entering air at the indoor coil. For sensible capacities at other than 80 F db, deduct 835 Btuh per 1000 cfm of indoor coil air from MBhxS/T for each degree below 80 F, or add 835 Btuh per 1000 cfm of indoor coil air from MBhxS/T for each degree above 80 F

†† At TVA rating indoor condition (75 F db/ 63 F wb), All other indoor air temperatures are at 80 F db

SIZE 24 EXPANDED DATA

Low Stage 24 Size Outdoor With EN(A,D)4X31*17**+*8MV*0901716** Indoor Cooling																										
Outdoor Ambient Temperature Degrees F, Dry Bulb																										
75					85					95					105					115						
Entering Indoor Temperature Degrees F, Wet Bulb																										
CFM		57	62	63††	67	72	57	62	63††	67	72	57	62	63††	67	72	57	62	63††	67	72	57	62	63††	67	72
500	MBh†	17.62	18.73	19.10	20.70	22.95	16.16	17.00	17.34	18.79	20.84	14.68	15.27	15.56	16.89	18.74	13.20	13.57	13.83	15.02	16.71	11.79	11.95	12.16	13.24	14.76
	S/T‡	1.00	0.84	0.68	0.65	0.49	1.00	0.83	0.67	0.64	0.48	1.00	0.82	0.66	0.63	0.47	1.00	0.81	0.65	0.62	0.46	1.00	0.80	0.63	0.61	0.44
	AMPS*	4.57	4.53	4.52	4.45	4.35	5.44	5.40	5.39	5.31	5.21	6.45	6.42	6.41	6.33	6.24	7.63	7.61	7.60	7.54	7.46	9.00	8.99	8.99	8.94	8.88
	HI PR	248	249	249	251	254	288	289	290	292	295	333	334	334	337	340	383	383	383	386	389	436	437	437	440	443
	LO PR	122	129	131	141	155	125	131	133	143	157	129	133	135	146	160	133	136	138	148	162	137	139	140	151	165
550	MBh†	18.38	19.20	19.56	21.19	23.47	16.84	17.41	17.73	19.21	21.29	15.28	15.63	15.90	17.25	19.13	13.74	13.90	14.11	15.33	17.03	12.25	12.28	12.40	13.49	15.02
	S/T‡	1.00	0.87	0.70	0.67	0.50	1.00	0.86	0.69	0.67	0.49	1.00	0.86	0.68	0.66	0.48	1.00	0.85	0.67	0.65	0.47	1.00	1.00	0.66	0.63	0.46
	AMPS*	4.56	4.53	4.52	4.45	4.35	5.43	5.40	5.39	5.31	5.21	6.44	6.42	6.41	6.34	6.24	7.62	7.62	7.61	7.55	7.47	9.00	9.00	9.01	8.96	8.90
	HI PR	249	250	250	252	254	289	290	291	292	295	334	335	335	337	340	383	384	384	386	390	437	438	438	441	444
	LO PR	127	132	134	144	158	130	134	136	146	160	134	136	138	149	163	138	139	140	151	165	142	142	143	154	168
600	MBh†	19.06	19.60	19.94	21.60	23.90	17.44	17.77	18.06	19.57	21.66	15.81	15.96	16.18	17.55	19.44	14.21	14.23	14.34	15.58	17.29	12.66	12.68	12.59	13.70	15.24
	S/T‡	1.00	0.90	0.72	0.69	0.51	1.00	0.90	0.71	0.69	0.50	1.00	0.89	0.70	0.68	0.49	1.00	1.00	0.69	0.67	0.48	1.00	1.00	0.68	0.66	0.47
	AMPS*	4.56	4.54	4.53	4.45	4.35	5.42	5.41	5.40	5.32	5.22	6.44	6.43	6.42	6.35	6.25	7.62	7.62	7.63	7.56	7.48	9.01	9.01	9.03	8.98	8.91
	HI PR	249	250	250	252	255	290	291	291	293	296	335	335	336	338	341	384	384	385	387	390	438	439	439	441	445
	LO PR	131	135	136	147	161	134	137	138	149	163	138	139	140	151	166	142	142	143	154	168	146	146	145	156	170
650	MBh†	19.66	19.96	20.26	21.94	24.26	17.98	18.11	18.33	19.86	21.96	16.28	16.31	16.41	17.80	19.70	14.62	14.65	14.54	15.79	17.50	13.02	13.04	12.76	13.88	15.41
	S/T‡	1.00	0.93	0.74	0.71	0.52	1.00	0.93	0.73	0.71	0.51	1.00	1.00	0.73	0.70	0.50	1.00	1.00	0.72	0.69	0.49	1.00	1.00	0.71	0.68	0.48
	AMPS*	4.56	4.54	4.54	4.46	4.36	5.42	5.41	5.41	5.33	5.23	6.43	6.43	6.44	6.36	6.26	7.63	7.63	7.64	7.57	7.50	9.03	9.03	9.05	8.99	8.94
	HI PR	250	250	251	253	255	291	291	291	293	296	336	336	336	338	341	385	385	385	387	391	439	440	439	442	445
	LO PR	135	137	139	149	164	138	139	140	151	166	142	142	142	153	168	146	146	145	156	170	150	150	147	158	172
700	MBh†	20.20	20.31	20.54	22.24	24.57	18.46	18.49	18.58	20.11	22.22	16.71	16.74	16.62	18.01	19.91	15.00	15.02	14.72	15.97	17.68	13.35	13.37	12.90	14.03	15.56
	S/T‡	1.00	0.96	0.76	0.74	0.53	1.00	1.00	0.76	0.73	0.53	1.00	1.00	0.75	0.72	0.52	1.00	1.00	0.74	0.72	0.51	1.00	1.00	0.73	0.71	0.50
	AMPS*	4.55	4.55	4.55	4.47	4.37	5.42	5.42	5.42	5.34	5.24	6.44	6.44	6.45	6.37	6.28	7.64	7.63	7.66	7.59	7.51	9.04	9.04	9.07	9.02	8.96
	HI PR	251	251	251	253	255	291	292	292	294	297	337	337	336	339	342	386	386	385	388	391	440	440	439	442	446
	LO PR	139	140	140	151	166	142	142	142	153	168	146	146	144	155	170	149	150	146	158	172	153	154	149	160	174
750	MBh†	20.41	20.46	20.64	22.34	24.67	18.64	18.67	18.66	20.20	22.31	16.87	16.90	16.69	18.09	19.99	15.14	15.16	14.78	16.04	17.75	13.47	13.49	12.96	14.09	15.61
	S/T‡	1.00	1.00	0.77	0.74	0.54	1.00	1.00	0.76	0.74	0.53	1.00	1.00	0.76	0.73	0.52	1.00	1.00	0.75	0.73	0.51	1.00	1.00	0.74	0.72	0.50
	AMPS*	4.55	4.55	4.55	4.47	4.37	5.42	5.42	5.42	5.34	5.24	6.44	6.44	6.46	6.38	6.28	7.64	7.64	7.67	7.60	7.52	9.04	9.05	9.08	9.02	8.97
	HI PR	251	251	251	253	256	292	292	292	294	297	337	337	337	339	342	386	386	386	388	392	441	441	440	442	446
	LO PR	140	141	141	152	166	143	144	143	154	168	147	147	145	156	170	151	151	147	158	172	155	155	149	160	175

† Total capacities are net (I.D blower heat subtracted) system capacities based on 25' line set.
 If additional tubing length and/or indoor unit is located above outdoor unit, a slight variation in capacity may occur.
 * System amps are total of indoor and outdoor amps
 ‡ S/T are based on 80 F db entering air at the indoor coil. For sensible capacities at other than 80 F db, deduct 835 Btuh per 1000 cfm of indoor coil air from MBhS/T for each degree below 80 F, or add 835 Btuh per 1000 cfm of indoor coil air from MBhS/T for each degree above 80 F
 †† At TVA rating indoor condition (75 F db/ 63 F wb), All other indoor air temperatures are at 80 F db

SIZE 36 EXPANDED DATA

		High Stage 36 Outdoor With EN(A,D,W)4X48*21**+8MV*0901716** Indoor Cooling																								
		Outdoor Ambient Temperature Degrees F, Dry Bulb																								
		75					85					95					105					115				
		Entering Indoor Temperature Degrees F, Wet Bulb																								
CFM		57	62	63††	67	72	57	62	63††	67	72	57	62	63††	67	72	57	62	63††	67	72	57	62	63††	67	72
900	MBh†	35.84	38.02	38.77	41.84	46.07	33.31	35.06	35.74	38.59	42.48	30.78	32.11	32.71	35.31	38.88	28.23	29.14	29.66	32.02	35.25	25.63	26.15	26.58	28.69	31.59
	S/T‡	1.00	0.83	0.67	0.65	0.49	1.00	0.85	0.69	0.66	0.49	1.00	0.87	0.70	0.67	0.50	1.00	0.90	0.72	0.69	0.51	1.00	0.93	0.74	0.71	0.52
	AMPS*	9.90	9.98	10.01	10.14	10.32	10.76	10.83	10.86	10.96	11.11	11.76	11.81	11.84	11.93	12.06	12.89	12.93	12.95	13.04	13.16	14.17	14.18	14.20	14.28	14.40
	HI PR	269	271	272	276	280	311	314	315	318	323	357	360	361	365	370	408	410	411	416	421	464	465	466	470	476
	LO PR	118	125	127	137	150	121	127	129	139	153	124	129	131	141	155	128	132	134	144	158	132	135	136	147	161
975	MBh†	36.91	38.68	39.40	42.51	46.76	34.29	35.66	36.30	39.17	43.10	31.67	32.63	33.20	35.82	39.41	29.01	29.60	30.07	32.44	35.69	26.31	26.56	26.93	29.04	31.95
	S/T‡	1.00	0.85	0.69	0.66	0.49	1.00	0.87	0.70	0.67	0.50	1.00	0.89	0.71	0.69	0.51	1.00	0.92	0.73	0.71	0.52	1.00	0.96	0.76	0.73	0.53
	AMPS*	10.00	10.07	10.10	10.23	10.41	10.86	10.92	10.94	11.05	11.20	11.86	11.89	11.91	12.01	12.14	12.98	13.01	13.02	13.11	13.24	14.24	14.26	14.27	14.36	14.47
	HI PR	270	272	273	276	281	313	315	315	319	324	359	361	362	366	371	410	411	412	416	422	466	466	467	471	477
	LO PR	122	127	129	139	153	125	129	131	141	155	128	132	133	144	157	132	134	136	146	160	136	137	138	149	163
1005	MBh†	37.31	38.93	39.63	42.75	47.01	34.65	35.87	36.51	39.37	43.32	31.99	32.83	33.38	36.00	39.60	29.30	29.77	30.22	32.59	35.85	26.56	26.72	27.05	29.17	32.08
	S/T‡	1.00	0.86	0.69	0.67	0.50	1.00	0.88	0.71	0.68	0.50	1.00	0.90	0.72	0.70	0.51	1.00	0.93	0.74	0.71	0.52	1.00	0.97	0.76	0.74	0.54
	AMPS*	10.04	10.11	10.14	10.27	10.45	10.90	10.95	10.97	11.08	11.23	11.89	11.92	11.94	12.04	12.17	13.02	13.04	13.05	13.14	13.27	14.28	14.29	14.30	14.38	14.50
	HI PR	271	273	273	277	281	313	315	316	319	324	360	361	362	366	371	411	412	412	417	422	466	467	467	472	477
	LO PR	123	128	130	140	154	126	130	132	142	156	129	132	134	144	158	133	135	136	147	161	137	138	139	150	164
1200	MBh†	39.58	40.28	40.84	44.00	48.33	36.72	37.11	37.56	40.46	44.46	33.84	33.98	34.29	36.93	40.57	30.92	30.97	31.00	33.39	36.66	27.97	28.01	27.69	29.82	32.73
	S/T‡	1.00	0.92	0.73	0.70	0.52	1.00	0.94	0.74	0.72	0.52	1.00	0.96	0.76	0.74	0.53	1.00	1.00	0.79	0.76	0.55	1.00	1.00	0.82	0.79	0.56
	AMPS*	10.30	10.33	10.35	10.48	10.67	11.14	11.15	11.17	11.28	11.44	12.12	12.12	12.13	12.23	12.37	13.23	13.24	13.23	13.33	13.45	14.49	14.49	14.47	14.56	14.68
	HI PR	273	274	275	278	283	316	317	317	321	326	363	363	364	368	373	414	414	414	418	424	469	470	469	473	479
	LO PR	131	133	135	145	159	134	135	136	147	161	137	138	138	149	163	141	141	140	151	165	145	145	143	154	168
1350	MBh†	41.01	41.19	41.54	44.70	49.07	38.01	38.05	38.18	41.09	45.10	34.98	35.03	34.82	37.47	41.11	31.93	31.97	31.44	33.83	37.11	28.84	28.88	28.06	30.19	33.08
	S/T‡	1.00	0.96	0.76	0.73	0.53	1.00	1.00	0.78	0.75	0.54	1.00	1.00	0.80	0.77	0.55	1.00	1.00	0.82	0.80	0.57	1.00	1.00	0.85	0.83	0.59
	AMPS*	10.49	10.49	10.50	10.64	10.83	11.31	11.31	11.31	11.43	11.59	12.28	12.28	12.27	12.37	12.51	13.39	13.39	13.37	13.46	13.59	14.64	14.64	14.60	14.69	14.81
	HI PR	275	275	276	279	284	318	318	318	322	327	365	365	365	369	374	416	416	415	419	425	472	472	470	474	480
	LO PR	136	137	137	148	161	139	139	139	149	163	142	142	141	151	165	146	146	143	154	168	150	150	145	156	170

† Total capacities are net (I.D blower heat subtracted) system capacities based on 25' line set.
 If additional tubing length and/or indoor unit is located above outdoor unit, a slight variation in capacity may occur.
 * System amps are total of indoor and outdoor amps
 ‡ S/T are based on 80 F db entering air at the indoor coil. For sensible capacities at other than 80 F db, deduct 835 Btuh per 1000 cfm of indoor coil air from MBhxS/T for each degree below 80 F, or add 835 Btuh per 1000 cfm of indoor coil air from MBhxS/T for each degree above 80 F
 †† At TVA rating indoor condition (75 F db/ 63 F wb), All other indoor air temperatures are at 80 F db

SIZE 36 EXPANDED DATA

Low Stage 36 Outdoor With EN(A,D,W)4X48*21**+8MV*0901716** Indoor Cooling																										
Outdoor Ambient Temperature Degrees F, Dry Bulb																										
		75					85					95					105					115				
		Entering Indoor Temperature Degrees F, Wet Bulb																								
CFM		57	62	63††	67	72	57	62	63††	67	72	57	62	63††	67	72	57	62	63††	67	72	57	62	63††	67	72
720	MBh†	26.16	27.22	27.75	30.15	33.42	24.56	25.33	25.81	28.03	31.06	22.93	23.44	23.86	25.90	28.71	21.26	21.51	21.86	23.75	26.32	19.53	19.57	19.80	21.53	23.88
	S/T‡	1.00	0.88	0.70	0.67	0.50	1.00	0.86	0.69	0.66	0.49	1.00	0.84	0.67	0.65	0.47	1.00	0.83	0.65	0.63	0.46	1.00	1.00	0.64	0.61	0.44
	AMPS*	6.58	6.55	6.53	6.45	6.35	7.59	7.57	7.56	7.49	7.39	8.78	8.77	8.76	8.69	8.60	10.18	10.17	10.16	10.09	10.00	11.80	11.80	11.80	11.72	11.62
	HI PR	254	255	256	259	262	295	296	297	300	303	340	341	342	345	349	390	390	391	394	398	444	444	444	448	452
	LO PR	127	132	134	144	158	130	134	136	146	160	133	136	138	148	162	137	138	140	151	165	141	141	142	153	167
780	MBh†	26.97	27.71	28.20	30.62	33.92	25.30	25.78	26.21	28.44	31.51	23.60	23.85	24.21	26.27	29.09	21.87	21.92	22.17	24.06	26.65	20.07	20.11	20.07	21.79	24.16
	S/T‡	1.00	0.90	0.72	0.69	0.51	1.00	0.89	0.70	0.68	0.50	1.00	0.87	0.69	0.66	0.48	1.00	1.00	0.67	0.65	0.47	1.00	1.00	0.66	0.63	0.45
	AMPS*	6.59	6.56	6.55	6.47	6.36	7.60	7.59	7.58	7.51	7.41	8.79	8.79	8.78	8.71	8.62	10.19	10.19	10.18	10.11	10.03	11.81	11.81	11.82	11.74	11.65
	HI PR	255	256	256	259	262	296	297	297	300	304	341	342	342	345	349	391	391	391	395	399	445	445	445	448	453
	LO PR	131	134	136	146	160	134	136	138	148	162	137	138	140	150	164	141	141	142	153	167	145	145	144	155	169
835	MBh†	27.64	28.12	28.57	30.99	34.32	25.91	26.16	26.54	28.78	31.86	24.16	24.23	24.49	26.56	29.39	22.37	22.41	22.41	24.30	26.91	20.52	20.55	20.28	22.00	24.38
	S/T‡	1.00	0.93	0.73	0.71	0.52	1.00	0.91	0.72	0.69	0.50	1.00	0.99	0.70	0.68	0.49	1.00	1.00	0.69	0.67	0.48	1.00	1.00	0.67	0.65	0.46
	AMPS*	6.59	6.58	6.57	6.49	6.38	7.61	7.61	7.60	7.53	7.43	8.81	8.81	8.80	8.73	8.64	10.20	10.20	10.20	10.14	10.05	11.82	11.83	11.84	11.77	11.67
	HI PR	256	256	257	259	263	297	297	298	301	304	342	342	343	346	350	392	392	392	395	399	446	446	445	449	453
	LO PR	134	136	138	148	162	137	138	139	150	164	140	141	141	152	166	144	144	143	154	168	148	148	146	157	171
960	MBh†	28.98	29.01	29.25	31.69	35.05	27.13	27.17	27.14	29.39	32.49	25.27	25.30	25.03	27.09	29.94	23.35	23.39	22.87	24.76	27.37	21.38	21.41	20.67	22.39	24.76
	S/T‡	1.00	1.00	0.77	0.74	0.54	1.00	1.00	0.76	0.73	0.52	1.00	1.00	0.74	0.72	0.51	1.00	1.00	0.73	0.71	0.50	1.00	1.00	0.71	0.69	0.49
	AMPS*	6.62	6.62	6.61	6.53	6.42	7.64	7.64	7.65	7.58	7.48	8.84	8.84	8.85	8.79	8.70	10.24	10.24	10.26	10.19	10.10	11.86	11.86	11.90	11.82	11.73
	HI PR	257	257	258	260	264	299	299	299	301	305	344	344	343	347	351	393	394	393	396	400	448	448	446	450	454
	LO PR	140	140	141	152	165	143	143	143	153	167	146	146	145	155	169	150	150	146	157	171	154	154	149	159	173
1080	MBh†	30.06	30.11	29.77	32.21	35.58	28.11	28.15	27.60	29.85	32.95	26.14	26.18	25.42	27.49	30.34	24.13	24.16	23.22	25.11	27.70	22.07	22.10	20.98	22.70	25.03
	S/T‡	1.00	1.00	0.80	0.78	0.55	1.00	1.00	0.79	0.77	0.54	1.00	1.00	0.78	0.76	0.53	1.00	1.00	0.76	0.74	0.52	1.00	1.00	0.75	0.73	0.51
	AMPS*	6.65	6.64	6.66	6.58	6.46	7.68	7.68	7.70	7.63	7.53	8.88	8.88	8.91	8.84	8.75	10.28	10.28	10.32	10.25	10.16	11.90	11.90	11.96	11.88	11.79
	HI PR	259	259	258	261	264	300	300	299	302	306	345	345	344	347	351	395	395	393	397	401	449	449	447	450	455
	LO PR	145	146	144	154	168	148	148	145	156	170	151	151	147	158	172	154	155	149	160	173	158	158	151	162	176

† Total capacities are net (I.D blower heat subtracted) system capacities based on 25' line set.

If additional tubing length and/or indoor unit is located above outdoor unit, a slight variation in capacity may occur.

* System amps are total of indoor and outdoor amps

‡ S/T are based on 80 F db entering air at the indoor coil. For sensible capacities at other than 80 F db, deduct 835 Btuh per 1000 cfm of indoor coil air from MBhX/S/T for each degree below 80 F, or add 835 Btuh per 1000 cfm of indoor coil air from MBhX/S/T for each degree above 80 F

†† At TVA rating indoor condition (75 F db/ 63 F wb), All other indoor air temperatures are at 80 F db

SIZE 48 EXPANDED DATA

High Stage 48 Size Outdoor With EN(A,D)4X61*24**+8MV*1352422** Indoor Cooling																										
Outdoor Ambient Temperature Degrees F, Dry Bulb																										
75					85					95					105					115						
Entering Indoor Temperature Degrees F, Wet Bulb																										
CFM	57	62	63††	67	72	57	62	63††	67	72	57	62	63††	67	72	57	62	63††	67	72	57	62	63††	67	72	
1200	MBh†	47.30	50.25	51.23	55.28	60.74	44.22	46.59	47.48	51.21	56.26	41.02	42.79	43.59	47.04	51.68	37.80	39.01	39.71	42.87	47.07	34.62	35.32	35.92	38.78	42.67
	S/T‡	1.00	0.83	0.67	0.65	0.49	1.00	0.85	0.68	0.66	0.49	1.00	0.87	0.69	0.67	0.50	1.00	0.89	0.71	0.68	0.50	1.00	0.91	0.72	0.70	0.51
	AMPS*	12.65	12.72	12.74	12.83	12.93	14.05	14.12	14.14	14.23	14.35	15.69	15.74	15.77	15.87	15.99	17.58	17.63	17.65	17.77	17.91	19.81	19.85	19.87	20.02	20.21
	HI PR	258	260	260	263	265	300	301	302	304	308	346	348	348	351	354	397	398	398	401	405	451	452	453	456	461
	LO PR	119	127	129	139	152	122	129	131	141	155	126	131	133	143	157	130	134	135	146	160	134	136	138	149	163
1300	MBh†	48.75	51.12	52.07	56.14	61.64	45.52	47.36	48.22	51.97	57.05	42.20	43.48	44.23	47.69	52.36	38.85	39.61	40.26	43.42	47.70	35.56	35.87	36.38	39.25	43.13
	S/T‡	1.00	0.85	0.69	0.66	0.50	1.00	0.87	0.70	0.67	0.50	1.00	0.89	0.71	0.68	0.51	1.00	0.91	0.72	0.70	0.51	1.00	0.94	0.74	0.72	0.52
	AMPS*	12.79	12.84	12.86	12.95	13.04	14.19	14.24	14.26	14.36	14.47	15.83	15.87	15.89	15.99	16.12	17.73	17.76	17.76	17.89	18.05	19.96	19.98	20.00	20.14	20.32
	HI PR	259	260	261	263	266	301	302	302	305	308	347	348	349	351	355	398	398	398	402	406	452	453	453	457	461
	LO PR	123	129	131	141	155	126	131	133	143	157	130	133	135	146	160	133	136	138	148	162	137	139	140	151	165
1355	MBh†	49.48	51.56	52.48	56.56	62.08	46.20	47.74	48.57	52.33	57.42	42.80	43.82	44.54	48.00	52.68	39.39	39.92	40.53	43.69	47.97	36.03	36.17	36.60	39.47	43.35
	S/T‡	1.00	0.87	0.70	0.67	0.50	1.00	0.88	0.71	0.68	0.50	1.00	0.90	0.72	0.69	0.51	1.00	0.93	0.73	0.71	0.52	1.00	0.96	0.75	0.73	0.53
	AMPS*	12.86	12.91	12.93	13.01	13.10	14.27	14.31	14.33	14.42	14.53	15.90	15.93	15.95	16.05	16.18	17.80	17.82	17.84	17.96	18.12	20.04	20.05	20.07	20.21	20.39
	HI PR	259	261	261	263	266	302	303	303	306	309	348	349	349	352	355	398	398	399	402	406	453	453	454	457	461
	LO PR	125	130	132	142	156	128	132	134	144	158	132	135	136	147	161	135	137	139	149	163	139	140	141	152	166
1500	MBh†	51.23	52.58	53.41	57.51	63.05	47.78	48.66	49.38	53.15	58.27	44.22	44.65	45.25	48.71	53.40	40.65	40.72	41.12	44.29	48.57	37.14	37.19	37.11	39.97	43.85
	S/T‡	1.00	0.90	0.72	0.69	0.51	1.00	0.92	0.73	0.70	0.52	1.00	0.94	0.74	0.72	0.52	1.00	1.00	0.76	0.74	0.53	1.00	1.00	0.78	0.76	0.54
	AMPS*	13.04	13.07	13.09	13.17	13.26	14.46	14.48	14.50	14.59	14.69	16.09	16.10	16.12	16.22	16.35	18.00	18.00	18.02	18.13	18.29	20.25	20.25	20.24	20.38	20.57
	HI PR	260	261	262	264	267	303	303	304	306	309	349	349	350	352	356	399	399	400	403	407	454	455	454	458	462
	LO PR	130	133	135	145	159	133	135	137	147	161	136	137	139	149	163	140	140	141	152	166	144	144	143	154	168
1600	MBh†	52.31	53.20	53.95	58.05	63.61	48.75	49.23	49.85	53.63	58.75	45.10	45.22	45.65	49.12	53.81	41.42	41.48	41.47	44.64	48.91	37.81	37.86	37.40	40.26	44.12
	S/T‡	1.00	0.92	0.73	0.71	0.52	1.00	0.94	0.74	0.72	0.52	1.00	0.99	0.76	0.74	0.53	1.00	1.00	0.78	0.76	0.54	1.00	1.00	0.80	0.78	0.55
	AMPS*	13.17	13.19	13.20	13.28	13.37	14.59	14.60	14.61	14.70	14.80	16.22	16.22	16.24	16.34	16.46	18.13	18.13	18.13	18.25	18.41	20.38	20.39	20.36	20.50	20.69
	HI PR	261	262	262	264	267	304	304	304	307	310	350	350	350	353	357	400	400	400	403	407	455	455	455	458	463
	LO PR	133	135	136	147	161	136	137	138	149	163	139	139	140	151	165	143	143	142	153	167	147	147	145	155	170
1700	MBh†	53.29	53.79	54.43	58.53	64.10	49.64	49.81	50.27	54.05	59.16	45.88	45.95	46.01	49.47	54.15	42.12	42.18	41.77	44.94	49.20	38.42	38.47	37.65	40.51	44.36
	S/T‡	1.00	0.94	0.75	0.72	0.52	1.00	0.96	0.76	0.74	0.53	1.00	1.00	0.78	0.75	0.54	1.00	1.00	0.80	0.78	0.55	1.00	1.00	0.82	0.80	0.56
	AMPS*	13.29	13.30	13.31	13.39	13.47	14.71	14.71	14.72	14.81	14.91	16.35	16.35	16.35	16.45	16.57	18.26	18.26	18.25	18.36	18.52	20.52	20.52	20.48	20.62	20.81
	HI PR	262	262	262	264	267	304	304	305	307	310	351	351	351	353	357	401	401	401	404	408	456	456	455	459	463
	LO PR	135	137	138	148	162	138	139	140	150	164	142	142	142	152	166	145	146	144	154	169	149	149	146	157	171

† Total capacities are net (I.D blower heat subtracted) system capacities based on 25' line set.
 If additional tubing length and/or indoor unit is located above outdoor unit, a slight variation in capacity may occur.

* System amps are total of indoor and outdoor amps

‡ S/T are based on 80 F db entering air at the indoor coil. For sensible capacities at other than 80 F db, deduct 835 Btuh per 1000 cfm of indoor coil air from MBhS/T for each degree below 80 F, or add 835 Btuh per 1000 cfm of indoor coil air from MBhS/T for each degree above 80 F

†† At TVA rating indoor condition (75 F db/ 63 F wb), All other indoor air temperatures are at 80 F db

SIZE 48 EXPANDED DATA

High Stage 48 Size Outdoor With EN(A,D)4X61*24**+*8MV*1352422** Indoor Cooling																										
Outdoor Ambient Temperature Degrees F, Dry Bulb																										
		75					85					95					105					115				
		Entering Indoor Temperature Degrees F, Wet Bulb																								
CFM		57	62	63††	67	72	57	62	63††	67	72	57	62	63††	67	72	57	62	63††	67	72	57	62	63††	67	72
1200	MBh†	47.30	50.25	51.23	55.28	60.74	44.22	46.59	47.48	51.21	56.26	41.02	42.79	43.59	47.04	51.68	37.80	39.01	39.71	42.87	47.07	34.62	35.32	35.92	38.78	42.67
	S/T‡	1.00	0.83	0.67	0.65	0.49	1.00	0.85	0.68	0.66	0.49	1.00	0.87	0.69	0.67	0.50	1.00	0.89	0.71	0.68	0.50	1.00	0.91	0.72	0.70	0.51
	AMPS*	12.65	12.72	12.74	12.83	12.93	14.05	14.12	14.14	14.23	14.35	15.69	15.74	15.77	15.87	15.99	17.58	17.63	17.65	17.77	17.91	19.81	19.85	19.87	20.02	20.21
	HI PR	258	260	260	263	265	300	301	302	304	308	346	348	348	351	354	397	398	398	401	405	451	452	453	456	461
	LO PR	119	127	129	139	152	122	129	131	141	155	126	131	133	143	157	130	134	135	146	160	134	136	138	149	163
1300	MBh†	48.75	51.12	52.07	56.14	61.64	45.52	47.36	48.22	51.97	57.05	42.20	43.48	44.23	47.69	52.36	38.85	39.61	40.26	43.42	47.70	35.56	35.87	36.38	39.25	43.13
	S/T‡	1.00	0.85	0.69	0.66	0.50	1.00	0.87	0.70	0.67	0.50	1.00	0.89	0.71	0.68	0.51	1.00	0.91	0.72	0.70	0.51	1.00	0.94	0.74	0.72	0.52
	AMPS*	12.79	12.84	12.86	12.95	13.04	14.19	14.24	14.26	14.36	14.47	15.83	15.87	15.89	15.99	16.12	17.73	17.76	17.76	17.89	18.05	19.96	19.98	20.00	20.14	20.32
	HI PR	259	260	261	263	266	301	302	302	305	308	347	348	349	351	355	398	398	398	402	406	452	453	453	457	461
	LO PR	123	129	131	141	155	126	131	133	143	157	130	133	135	146	160	133	136	138	148	162	137	139	140	151	165
1355	MBh†	49.48	51.56	52.48	56.56	62.08	46.20	47.74	48.57	52.33	57.42	42.80	43.82	44.54	48.00	52.68	39.39	39.92	40.53	43.69	47.97	36.03	36.17	36.60	39.47	43.35
	S/T‡	1.00	0.87	0.70	0.67	0.50	1.00	0.88	0.71	0.68	0.50	1.00	0.90	0.72	0.69	0.51	1.00	0.93	0.73	0.71	0.52	1.00	0.96	0.75	0.73	0.53
	AMPS*	12.86	12.91	12.93	13.01	13.10	14.27	14.31	14.33	14.42	14.53	15.90	15.93	15.95	16.05	16.18	17.80	17.82	17.84	17.96	18.12	20.04	20.05	20.07	20.21	20.39
	HI PR	259	261	261	263	266	302	303	303	306	309	348	349	349	352	355	398	398	399	402	406	453	453	454	457	461
	LO PR	125	130	132	142	156	128	132	134	144	158	132	135	136	147	161	135	137	139	149	163	139	140	141	152	166
1500	MBh†	51.23	52.58	53.41	57.51	63.05	47.78	48.66	49.38	53.15	58.27	44.22	44.65	45.25	48.71	53.40	40.65	40.72	41.12	44.29	48.57	37.14	37.19	37.11	39.97	43.85
	S/T‡	1.00	0.90	0.72	0.69	0.51	1.00	0.92	0.73	0.70	0.52	1.00	0.94	0.74	0.72	0.52	1.00	1.00	0.76	0.74	0.53	1.00	1.00	0.78	0.76	0.54
	AMPS*	13.04	13.07	13.09	13.17	13.26	14.46	14.48	14.50	14.59	14.69	16.09	16.10	16.12	16.22	16.35	18.00	18.00	18.02	18.13	18.29	20.25	20.25	20.24	20.38	20.57
	HI PR	260	261	262	264	267	303	303	304	306	309	349	349	350	352	356	399	399	400	403	407	454	455	454	458	462
	LO PR	130	133	135	145	159	133	135	137	147	161	136	137	139	149	163	140	140	141	152	166	144	144	143	154	168
1600	MBh†	52.31	53.20	53.95	58.05	63.61	48.75	49.23	49.85	53.63	58.75	45.10	45.22	45.65	49.12	53.81	41.42	41.48	41.47	44.64	48.91	37.81	37.86	37.40	40.26	44.12
	S/T‡	1.00	0.92	0.73	0.71	0.52	1.00	0.94	0.74	0.72	0.52	1.00	0.99	0.76	0.74	0.53	1.00	1.00	0.78	0.76	0.54	1.00	1.00	0.80	0.78	0.55
	AMPS*	13.17	13.19	13.20	13.28	13.37	14.59	14.60	14.61	14.70	14.80	16.22	16.22	16.24	16.34	16.46	18.13	18.13	18.13	18.25	18.41	20.38	20.39	20.36	20.50	20.69
	HI PR	261	262	262	264	267	304	304	304	307	310	350	350	350	353	357	400	400	400	403	407	455	455	455	458	463
	LO PR	133	135	136	147	161	136	137	138	149	163	139	139	140	151	165	143	143	142	153	167	147	147	145	155	170
1700	MBh†	53.29	53.79	54.43	58.53	64.10	49.64	49.81	50.27	54.05	59.16	45.88	45.95	46.01	49.47	54.15	42.12	42.18	41.77	44.94	49.20	38.42	38.47	37.65	40.51	44.36
	S/T‡	1.00	0.94	0.75	0.72	0.52	1.00	0.96	0.76	0.74	0.53	1.00	1.00	0.78	0.75	0.54	1.00	1.00	0.80	0.78	0.55	1.00	1.00	0.82	0.80	0.56
	AMPS*	13.29	13.30	13.31	13.39	13.47	14.71	14.71	14.72	14.81	14.91	16.35	16.35	16.35	16.45	16.57	18.26	18.26	18.25	18.36	18.52	20.52	20.52	20.48	20.62	20.81
	HI PR	262	262	262	264	267	304	304	305	307	310	351	351	351	353	357	401	401	401	404	408	456	456	455	459	463
	LO PR	135	137	138	148	162	138	139	140	150	164	142	142	142	152	166	145	146	144	154	169	149	149	146	157	171

† Total capacities are net (I.D blower heat subtracted) system capacities based on 25' line set.

If additional tubing length and/or indoor unit is located above outdoor unit, a slight variation in capacity may occur.

* System amps are total of indoor and outdoor amps

‡ S/T are based on 80 F db entering air at the indoor coil. For sensible capacities at other than 80 F db, deduct 835 Btuh per 1000 cfm of indoor coil air from MBhxS/T for each degree below 80 F, or add 835 Btuh per 1000 cfm of indoor coil air from MBhxS/T for each degree above 80 F

†† At TVA rating indoor condition (75 F db/ 63 F wb), All other indoor air temperatures are at 80 F db

SIZE 60 EXPANDED DATA

High Stage 60 Size Outdoor With EN(A,D)4X61*24**+*8MV*1352422** Indoor Cooling																										
Outdoor Ambient Temperature Degrees F, Dry Bulb																										
75					85					95					105					115						
Entering Indoor Temperature Degrees F, Wet Bulb																										
CFM	57	62	63††	67	72	57	62	63††	67	72	57	62	63††	67	72	57	62	63††	67	72	57	62	63††	67	72	
1500	MBh†	53.72	56.39	57.44	62.03	68.33	52.08	54.23	55.21	59.60	65.64	50.28	51.92	52.82	57.01	62.75	48.30	49.38	50.17	54.12	59.55	46.01	46.54	47.21	50.90	55.98
	S/T‡	1.00	0.85	0.69	0.66	0.49	1.00	0.87	0.70	0.67	0.50	1.00	0.89	0.71	0.68	0.50	1.00	0.91	0.72	0.69	0.51	1.00	0.93	0.74	0.71	0.52
	AMPS*	15.43	15.54	15.58	15.78	16.05	16.99	17.09	17.13	17.32	17.59	18.81	18.89	18.93	19.12	19.38	20.92	20.97	21.01	21.19	21.46	23.32	23.35	23.38	23.58	23.85
	HI PR	265	266	267	269	273	308	309	310	313	317	354	356	357	360	365	406	407	408	412	417	462	463	463	467	473
	LO PR	122	127	129	139	153	125	129	131	142	155	128	132	133	144	157	131	134	136	146	160	135	137	138	149	163
1625	MBh†	55.23	57.29	58.28	62.90	69.27	53.51	55.06	55.98	60.40	66.48	51.63	52.69	53.49	57.71	63.48	49.53	50.09	50.76	54.73	60.19	47.13	47.27	47.71	51.43	56.52
	S/T‡	1.00	0.88	0.70	0.68	0.50	1.00	0.89	0.71	0.69	0.50	1.00	0.91	0.72	0.70	0.51	1.00	0.93	0.74	0.71	0.52	1.00	0.99	0.76	0.73	0.53
	AMPS*	15.64	15.73	15.77	15.97	16.26	17.22	17.28	17.32	17.51	17.78	19.03	19.08	19.12	19.31	19.57	21.13	21.16	21.19	21.38	21.65	23.53	23.54	23.56	23.76	24.04
	HI PR	266	267	268	270	274	309	310	310	314	318	356	357	357	361	366	407	408	408	412	417	463	463	464	468	473
	LO PR	125	130	132	142	155	128	132	133	144	157	131	134	135	146	160	135	136	138	148	162	139	139	140	151	165
1685	MBh†	55.91	57.68	58.64	63.28	69.67	54.14	55.44	56.29	60.74	66.84	52.22	53.03	53.77	58.00	63.79	50.07	50.43	51.02	54.99	60.46	47.62	47.70	47.93	51.65	56.74
	S/T‡	1.00	0.89	0.71	0.68	0.50	1.00	0.90	0.72	0.69	0.51	1.00	0.92	0.73	0.71	0.51	1.00	0.95	0.75	0.72	0.52	1.00	1.00	0.77	0.74	0.53
	AMPS*	15.75	15.82	15.86	16.07	16.35	17.32	17.37	17.41	17.60	17.88	19.14	19.18	19.21	19.40	19.66	21.23	21.25	21.28	21.47	21.74	23.64	23.64	23.65	23.85	24.13
	HI PR	266	267	268	270	274	309	310	311	314	318	356	357	358	361	366	408	408	409	413	418	464	464	464	468	474
	LO PR	127	131	132	143	156	130	133	134	145	158	133	135	136	147	160	136	137	138	149	163	141	141	141	151	165
1750	MBh†	56.60	58.08	59.00	63.66	70.06	54.79	55.82	56.61	61.07	67.19	52.83	53.40	54.06	58.29	64.11	50.63	50.81	51.27	55.26	60.73	48.13	48.20	48.15	51.87	56.97
	S/T‡	1.00	0.90	0.72	0.69	0.51	1.00	0.92	0.73	0.70	0.51	1.00	0.94	0.74	0.72	0.52	1.00	0.96	0.76	0.73	0.53	1.00	1.00	0.78	0.76	0.54
	AMPS*	15.86	15.92	15.96	16.17	16.45	17.43	17.47	17.50	17.70	17.97	19.25	19.28	19.30	19.49	19.76	21.35	21.36	21.38	21.57	21.84	23.75	23.76	23.75	23.95	24.23
	HI PR	266	268	268	270	274	309	310	311	314	318	357	357	358	362	366	408	409	409	413	418	464	465	464	469	474
	LO PR	129	132	133	144	157	132	134	135	146	159	135	136	137	148	161	138	139	139	150	164	142	142	142	152	166
2000	MBh†	58.97	59.49	60.13	64.83	71.31	57.00	57.21	57.65	62.13	68.31	54.88	54.96	54.99	59.24	65.08	52.51	52.59	52.08	56.07	61.55	49.82	49.88	48.84	52.56	57.65
	S/T‡	1.00	0.94	0.75	0.72	0.52	1.00	0.96	0.76	0.74	0.53	1.00	1.00	0.78	0.75	0.54	1.00	1.00	0.80	0.77	0.55	1.00	1.00	0.82	0.80	0.56
	AMPS*	16.28	16.30	16.33	16.53	16.83	17.84	17.85	17.87	18.07	18.35	19.66	19.67	19.66	19.86	20.13	21.76	21.77	21.74	21.93	22.21	24.17	24.17	24.11	24.32	24.60
	HI PR	268	269	269	271	275	311	311	312	315	319	359	359	359	362	367	411	411	410	414	419	467	467	466	470	475
	LO PR	134	136	136	147	160	137	138	138	149	162	140	141	140	151	164	144	144	142	153	167	148	148	144	155	169
2250	MBh†	60.93	61.01	61.01	65.74	72.25	58.83	58.91	58.43	62.94	69.12	56.57	56.65	55.68	59.95	65.78	54.04	54.11	52.69	56.69	62.14	51.19	51.25	49.36	53.08	58.12
	S/T‡	1.00	1.00	0.78	0.75	0.54	1.00	1.00	0.79	0.77	0.55	1.00	1.00	0.81	0.79	0.56	1.00	1.00	0.83	0.81	0.57	1.00	1.00	0.86	0.84	0.58
	AMPS*	16.69	16.69	16.68	16.89	17.19	18.24	18.25	18.22	18.42	18.70	20.06	20.07	20.02	20.21	20.49	22.16	22.16	22.09	22.29	22.56	24.57	24.58	24.47	24.67	24.95
	HI PR	269	269	269	272	276	313	313	313	316	320	361	361	360	363	368	412	412	411	415	420	469	469	466	471	476
	LO PR	139	140	139	149	163	142	142	141	151	165	145	145	142	153	167	149	149	144	155	169	152	153	147	158	171

† Total capacities are net (I.D blower heat subtracted) system capacities based on 25' line set.
 If additional tubing length and/or indoor unit is located above outdoor unit, a slight variation in capacity may occur.

* System amps are total of indoor and outdoor amps

‡ S/T are based on 80 F db entering air at the indoor coil. For sensible capacities at other than 80 F db, deduct 835 Btuh per 1000 cfm of indoor coil air from MBhxS/T for each degree below 80 F, or add 835 Btuh per 1000 cfm of indoor coil air from MBhxS/T for each degree above 80 F

†† At TVA rating indoor condition (75 F db/ 63 F wb), All other indoor air temperatures are at 80 F db

SIZE 60 EXPANDED DATA

Low Stage 60 Size Outdoor With EN(A,D)4X61*24**+*8MV*1352422** Indoor Cooling																										
Outdoor Ambient Temperature Degrees F, Dry Bulb																										
75					85					95					105					115						
Entering Indoor Temperature Degrees F, Wet Bulb																										
CFM		57	62	63††	67	72	57	62	63††	67	72	57	62	63††	67	72	57	62	63††	67	72	57	62	63††	67	72
1200	MBh†	41.88	43.21	44.00	47.74	52.84	38.97	39.82	40.50	43.97	48.70	35.87	36.26	36.83	40.03	44.39	32.67	32.73	33.04	35.98	39.99	29.44	29.50	29.23	31.92	35.56
	S/T‡	1.00	0.90	0.72	0.69	0.51	1.00	0.90	0.71	0.69	0.50	1.00	0.90	0.71	0.68	0.50	1.00	1.00	0.71	0.69	0.49	1.00	1.00	0.71	0.69	0.49
	AMPS*	10.65	10.61	10.59	10.47	10.31	12.29	12.27	12.26	12.14	12.00	14.18	14.17	14.16	14.05	13.92	16.34	16.33	16.33	16.23	16.11	18.79	18.78	18.80	18.71	18.59
	HI PR	252	253	253	255	258	293	294	294	297	300	338	339	339	342	345	387	387	388	391	394	441	441	441	444	448
	LO PR	130	134	135	146	159	133	136	138	148	162	137	139	140	150	164	142	142	143	153	167	147	147	145	156	170
1300	MBh†	43.12	43.95	44.65	48.41	53.55	40.07	40.50	41.08	44.56	49.32	36.87	36.95	37.33	40.53	44.92	33.57	33.63	33.47	36.41	40.43	30.23	30.28	29.59	32.28	35.92
	S/T‡	1.00	0.93	0.74	0.71	0.52	1.00	0.93	0.73	0.71	0.51	1.00	1.00	0.73	0.71	0.51	1.00	1.00	0.73	0.71	0.50	1.00	1.00	0.74	0.71	0.50
	AMPS*	10.69	10.66	10.65	10.53	10.37	12.34	12.33	12.32	12.21	12.06	14.23	14.23	14.23	14.12	13.99	16.39	16.39	16.40	16.30	16.18	18.85	18.85	18.88	18.78	18.67
	HI PR	253	253	254	256	258	294	294	295	297	300	339	339	340	342	346	388	388	388	391	395	442	442	441	444	448
	LO PR	134	136	138	148	162	137	138	140	150	164	141	141	142	152	166	145	145	144	155	169	150	150	147	158	172
1355	MBh†	43.74	44.33	44.98	48.74	53.90	40.64	40.87	41.36	44.85	49.62	37.38	37.45	37.57	40.78	45.17	34.03	34.08	33.68	36.63	40.64	30.62	30.67	29.76	32.45	36.09
	S/T‡	1.00	0.94	0.75	0.72	0.52	1.00	0.94	0.74	0.72	0.52	1.00	1.00	0.74	0.72	0.51	1.00	1.00	0.74	0.72	0.51	1.00	1.00	0.75	0.72	0.51
	AMPS*	10.71	10.70	10.68	10.56	10.40	12.37	12.36	12.36	12.24	12.09	14.26	14.26	14.27	14.16	14.02	16.42	16.42	16.44	16.34	16.22	18.88	18.88	18.92	18.82	18.71
	HI PR	253	254	254	256	259	295	295	295	297	300	340	340	340	342	346	389	389	388	391	395	442	442	441	445	448
	LO PR	136	137	139	149	163	139	139	140	151	165	143	143	143	153	167	147	147	145	156	170	152	152	148	159	172
1400	MBh†	44.23	44.63	45.23	48.99	54.16	41.08	41.19	41.58	45.07	49.85	37.78	37.85	37.76	40.96	45.36	34.37	34.43	33.84	36.79	40.80	30.92	30.97	29.89	32.59	36.22
	S/T‡	1.00	0.95	0.76	0.73	0.53	1.00	1.00	0.75	0.73	0.52	1.00	1.00	0.75	0.73	0.52	1.00	1.00	0.75	0.73	0.52	1.00	1.00	0.76	0.74	0.51
	AMPS*	10.73	10.72	10.71	10.59	10.43	12.39	12.39	12.38	12.27	12.12	14.29	14.29	14.30	14.19	14.06	16.45	16.45	16.48	16.38	16.25	18.91	18.91	18.95	18.86	18.74
	HI PR	254	254	254	256	259	295	295	295	298	301	340	340	340	343	346	389	389	389	392	395	443	443	442	445	449
	LO PR	137	138	139	150	164	140	141	141	152	166	144	144	143	154	168	148	149	146	157	170	153	153	149	159	173
1600	MBh†	46.15	46.22	46.15	49.93	55.12	42.82	42.88	42.39	45.88	50.68	39.32	39.38	38.45	41.67	46.06	35.73	35.78	34.43	37.38	41.37	32.10	32.14	30.42	33.10	36.68
	S/T‡	1.00	1.00	0.79	0.77	0.55	1.00	1.00	0.79	0.77	0.54	1.00	1.00	0.79	0.77	0.54	1.00	1.00	0.80	0.77	0.54	1.00	1.00	0.80	0.78	0.54
	AMPS*	10.83	10.83	10.84	10.72	10.56	12.50	12.50	12.52	12.41	12.26	14.40	14.40	14.44	14.33	14.20	16.57	16.57	16.63	16.53	16.41	19.04	19.04	19.11	19.02	18.90
	HI PR	255	255	255	257	259	296	296	296	298	301	341	341	341	343	347	391	391	389	392	396	444	444	442	446	449
	LO PR	143	143	142	153	167	146	146	144	155	168	150	150	146	157	171	154	154	149	159	173	158	158	151	162	175
1800	MBh†	47.74	47.81	46.86	50.65	55.85	44.25	44.31	43.01	46.52	51.29	40.59	40.65	39.00	42.22	46.57	36.85	36.89	34.92	37.86	41.79	33.06	33.10	30.87	33.53	37.00
	S/T‡	1.00	1.00	0.83	0.80	0.57	1.00	1.00	0.83	0.80	0.56	1.00	1.00	0.83	0.81	0.56	1.00	1.00	0.84	0.82	0.56	1.00	1.00	0.84	0.82	0.56
	AMPS*	10.94	10.94	10.98	10.85	10.69	12.61	12.61	12.66	12.55	12.40	14.53	14.53	14.59	14.48	14.35	16.71	16.71	16.78	16.68	16.56	19.19	19.19	19.27	19.18	19.07
	HI PR	256	256	255	257	260	297	297	296	299	302	342	343	341	344	347	392	392	390	393	396	446	446	443	446	450
	LO PR	148	148	145	155	169	151	151	147	157	171	154	154	149	159	173	158	158	151	162	175	163	163	154	164	177

† Total capacities are net (I.D blower heat subtracted) system capacities based on 25' line set.

If additional tubing length and/or indoor unit is located above outdoor unit, a slight variation in capacity may occur.

* System amps are total of indoor and outdoor amps

‡ S/T are based on 80 F db entering air at the indoor coil. For sensible capacities at other than 80 F db, deduct 835 Btuh per 1000 cfm of indoor coil air from MBhxS/T for each degree below 80 F, or add 835 Btuh per 1000 cfm of indoor coil air from MBhxS/T for each degree above 80 F

†† At TVA rating indoor condition (75 F db/ 63 F wb), All other indoor air temperatures are at 80 F db

ACCESSORY USAGE GUIDELINES			
Accessory	REQUIRED FOR LOW AMBIENT COOLING APPLICATIONS (17 SEER Product Only) (Below 55 °F / 12.8 °C)	REQUIRED FOR LONG LINE APPLICATIONS* (Over 80 ft. / 24.38 m)	Required for Sea Coast Application (within 2 miles/3.22 km)
Crankcase Heater	Yes Standard on some units	Yes, standard on some units	No
Compressor Start Assist Capacitor and Relay	No	No	No
Liquid Line Solenoid Valve	No	See Long Line Applications Guideline	No
Support Feet	Recommended	No	Recommended
Hard Shutoff TXV	Yes (Standard with factory approved indoor unit)	Yes (Standard with factory approved indoor unit)	Yes (Standard with factory approved indoor unit)
Evaporator Freeze Thermostat	Yes	No	No
Low-Ambient Pressure Switch	Yes	No	No
Winter Start Control	Yes	No	No

* For tubing line sets between 80 and 200 ft. (24.38 and 60.96 m) and/or 20 ft. (6.09 m) vertical differential, refer to Long Line Applications Guideline.

ACCESSORIES			
Part Number	Description	Used On Model Size	Used On Model Size
NASA401LS	Liquid Line Solenoid Valve, R -410A	ALL	ALL
NASA001TD	Time Delay Relay, Indoor Blower	ALL	ALL
NASA001SF	Support Feet, 4" (102mm) tall	ALL	ALL
NASA010SC	Hard Start Kit (Capacitor & Relay)	24	N/A
NASA011SC	Hard Start Kit (Capacitor & Relay)	36	N/A
NASA012SC	Hard Start Kit (Capacitor & Relay)	48	24, 36
NASA013SC	Hard Start Kit (Capacitor & Relay)	24, 36	N/A
NASA015SC	Hard Start Kit (Capacitor & Relay)	60	48, 60
NASA01201CH	Crankcase Heater Kit (Factory installed on 48 & 60)	24, 36	24, 36
NASA001FS	Evaporator Freeze Thermostat	ALL	ALL
NASA00201WS	Winter Start Control	ALL	ALL
NASA401LA	Low Ambient Kit (Pressure Switch) R -410A	ALL	ALL
WALL CONTROL			
TSTAT0101SC	Observer™ Self Configuring Communicating Wall Control	ALL	ALL